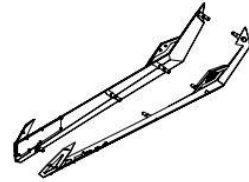
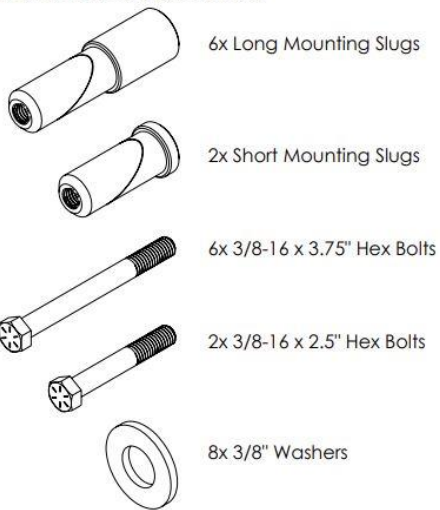


EOD 2020+ Polaris RZR Pro Xp / Pro R / Turbo R Volt Rocker Guards 4 Seat

P/N- RKS610010

EOD RZR Pro VOLT 4 seat rock sliders
RKS610010

Hardware/mounting brackets:





- Lay everything out on a clean scratch free surface and then divide up the hardware for each rocker guard so that each side has 2 rear standoffs and then the middle and the front get 1 standoff each, there are two shorter bolts included in the hardware bag and these go into the front mounting points only.



- Assemble the standoff with anti-seize as follows: washer on a bolt, bolt through the rocker from the outside, standoff onto bolt with LARGER diameter section against the rocker, threaded wedge nut with angled section towards standoff. Once the assembly is loosely started line up the two wedge “faces” to each other so that way they form a cylinder and then use some masking tape to hold them together for assembly. Snug up the bolt just enough to take the slake out of the assembly but allowing it to shift around slightly when installing into the frame.



- Locate the 4 mounting holes that run through the bottom section of your vehicles frame, 3 of them will be right below the doors and the most rear point is slightly higher near the rear wheel well area. These 4 points are going to be where the EOD rocker guards will mount too, look down into each one and make sure all the dirt and debris is cleaned out before trying to install anything.
- Next carefully line up rocker guard to the vehicles mounting points and slide in the 4 standoff assemblies into its frame, once you feel the rocker butt up to the frame section hold pressure pushing against the vehicle and then snug up the middle mount with a 9/16" socket first followed by the front mount second with a 9/16" wrench.



- From there the furthest rear mounting point will get tightened followed by the second rear bolt, go over all the bolts again one final time to assure the rocker guards are installed securely and properly. Lastly follow the same process of installation we just performed and repeat this for the remaining rocker guard. Perform a final check over of all the work completed and enjoy another great product from Elektric Offroad Designs!