



TR-4153D
(2016-2020) POLARIS RZR TURBO STAGE 5 STINGER EXHAUST
INSTALLATION INSTRUCTIONS

1. REMOVE PLASTIC MUFFLER COVER.
2. REMOVE STOCK MUFFLER SPRINGS.
3. DISCONNECT OXYGEN SENSOR BY FIRST DISCONNECTING THE CONNECTOR, THEN UNSCREWING FROM THE EXHAUST. **SEE IMAGE 1**
4. UNBOLT MUFFLER FROM STOCK HEADER PIPE, AND REMOVE ALL FACTORY HEAT SHIELDS BENEATH.
5. LOOSELY PRE-ASSEMBLE THE TRINITY RACING MUFFLER USING THE SUPPLIED BILLET ALUMINUM MOUNTING CLAMPS.
6. USE A 6MM ALLEN WRENCH TO REMOVE THE 4 STOCK BOLTS MOUNTING THE STOCK HEAD TUBE TO THE TURBO FLANGE. (NOTE, THESE WILL BE VERY TIGHT AND MAY REQUIRE THE USE OF A BREAKER BAR.)
7. ONCE THE BOLTS ARE OUT, REMOVE THE HEADER PIPE COMPLETELY.
8. REMOVE THE TRINITY RACING TURBO FLANGE FROM THE TRINITY RACING HEAD PIPE AND USING THE 4 OEM BOLTS, MOUNT THE TURBO FLANGE TO THE VEHICLE. (NOTE: A NEW FLANGE GASKET IS RECOMMENDED IF THE OLD IS WORN OUT) **SEE IMAGE 2**
9. USING THE SUPPLIED SPRINGS, INSTALL THE THE 4-BOLT EXHAUST FLANGE ONTO THE HEAD PIPE. PROCEED TO ATTACH THAT ASSEMBLY TO THE TURBO FLANGE USING THE REMAINING SPRINGS. (A SMALL AMOUNT OF SPRAY LUBRICANT SUCH AS WD40 MAY BE APPLIED TO THE STAINLESS TUBING IF NECESSARY.)
10. NOW ATTACH THE PROVIDED BLACK EXHAUST HANGERS TO THE VEHICLE USING THE SUPPLIED HARDWARE. PROCEED TO MOUNT THE MUFFLER ONTO THE EXHAUST FLANGE & HEADER PIPE. BOLT MUFFLER CLAMPS TO EXHAUST HANGERS. **SEE IMAGE 3A & 3B**
12. TORQUE ALL MOUNTING HARDWARE TO OEM SPECIFICATIONS.
13. INSTALL THE SUPPLIED TRINITY RACING BACK PLATE USING HARDWARE INCLUDED IN KIT. ALL MOUNTING HARDWARE SHOULD BE RE-TORQUED AFTER FIRST RIDE. **SEE IMAGE 4**
14. BEFORE STARTING VEHICLE, CLEAN ALL EXHAUST COMPONENTS TO REMOVE ANY FINGER PRINTS OR OIL RESIDUE.





IMAGE #1

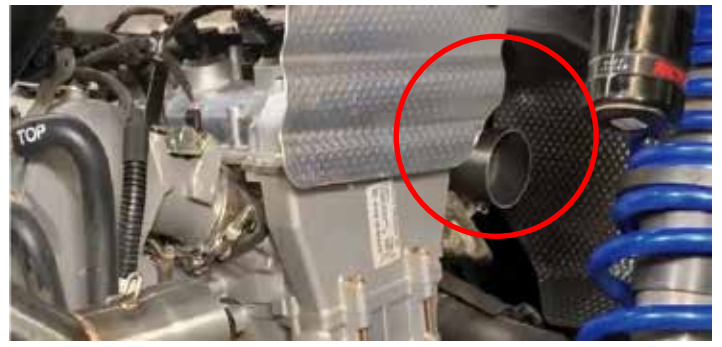


IMAGE #2



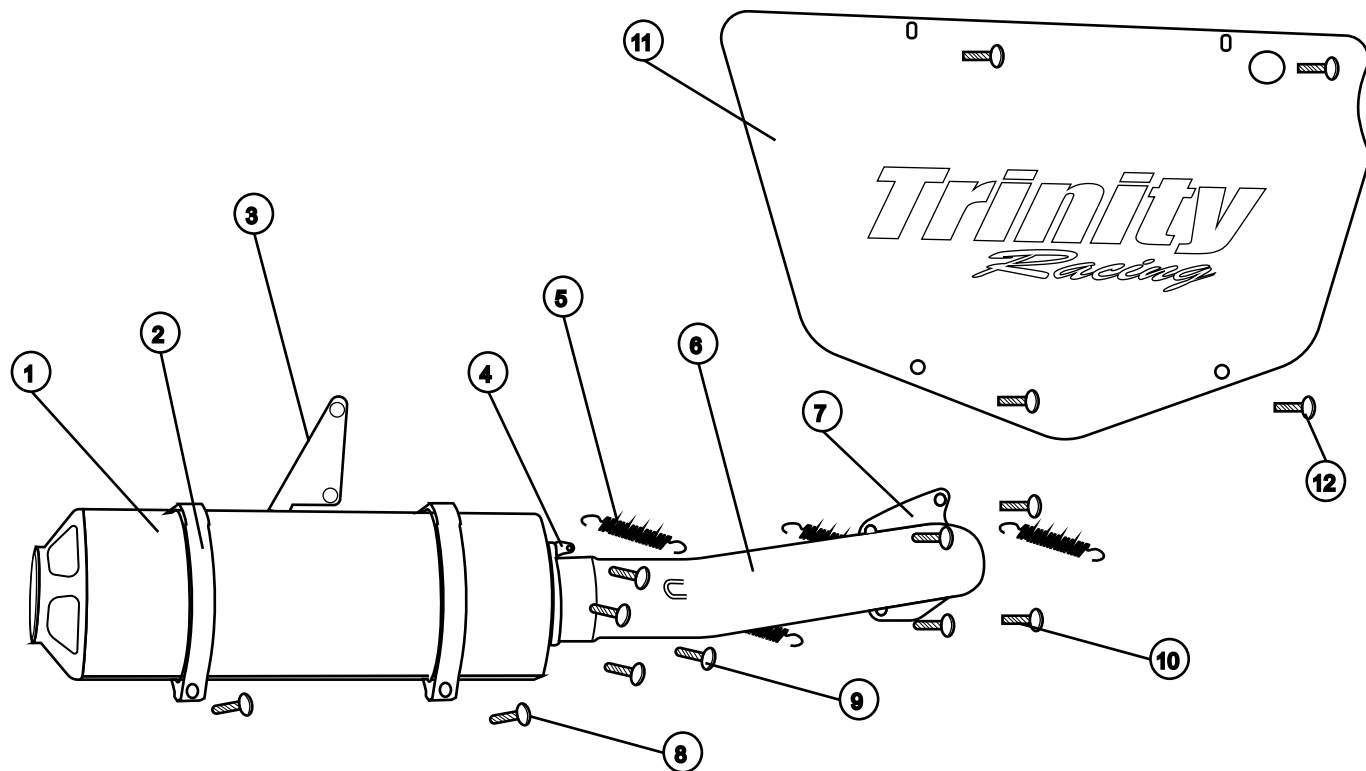
IMAGE #3A



IMAGE #3B



IMAGE #4



1	MUFFLER BODY
2	MUFFLER CLAMP
3	EXHAUST HANGER
4	SPRING RETAINER CLIP / EXHAUST FLANGE
5	RETENTION SPRING
6	HEAD PIPE
7	TURBO FLANGE
8	M8 x 25 SOCKET HEAD
9	M8-1.25 X 20MM BUTTON HEAD
10	OEM TURBO FLANGE BOLTS (REUSE)
11	TRINITY RACING BACK PLATE
12	M6 - 1 SOCKET HEAD SCREW

WARNING

* Trinity Racing exhaust systems will require adjustment to OEM fuel settings such as installation of an EFI programmer. Trinity Racing will not be held responsible for damages that occur during operation of your vehicle under improper fuel settings. Ultimately, it is the responsibility of the owner/rider to adjust fuel settings to specific riding conditions.

* Inspection of the muffler packing is recommended following every 30 hours of runtime. Failure to maintain muffler packing will result in power loss, increased sound output, and damage to the muffler body or muffler components.

* Trinity Racing exhausts systems are designed for high performance applications and are legal for closed course competition only. This product is not applicable nor intended for use on emissions controlled street, highway, or off-road vehicles.

714.988.0339 5221 Oceanus Dr.
Huntington Beach, CA 92649
www.trinityracing.com

