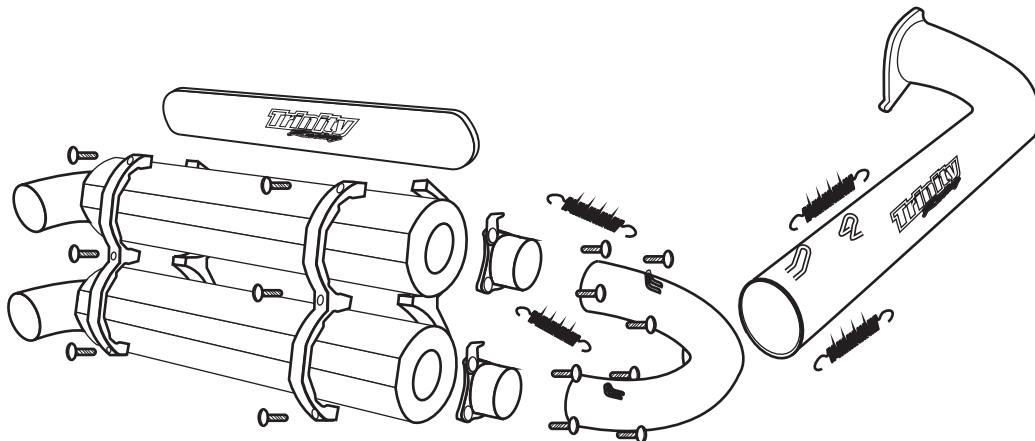
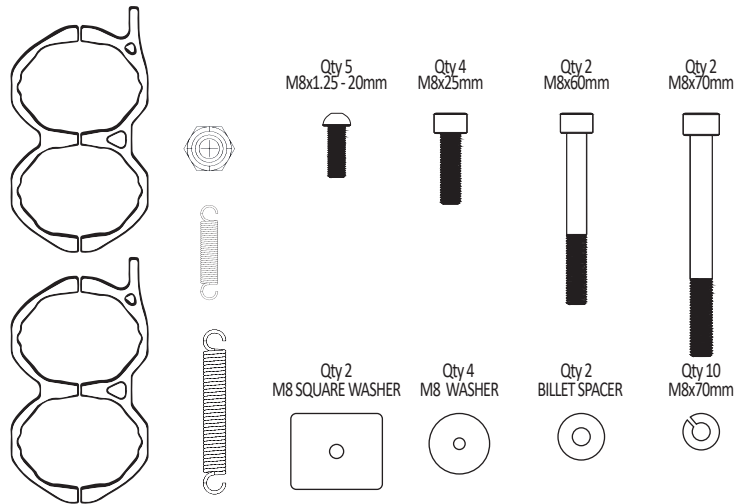
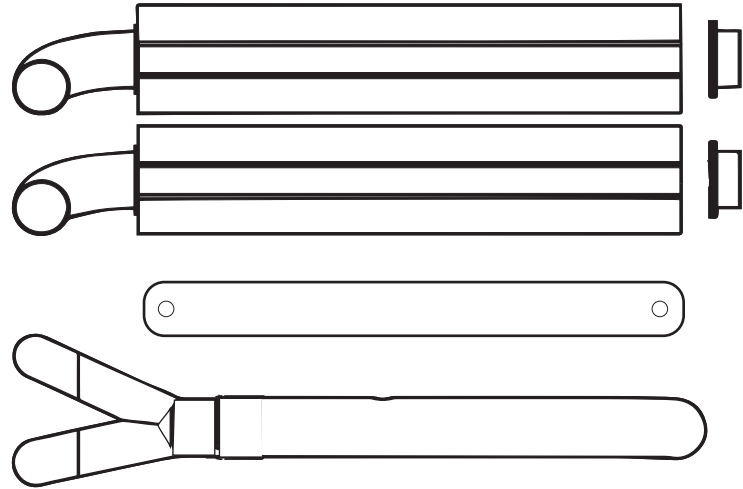


INSTALLATION INSTRUCTIONS

1. Remove plastic cover surrounding OEM muffler.
2. Remove the stock muffler by removing the three nuts attaching the muffler to header pipe. Remove the spring attaching the muffler to the frame.
3. Disconnect the o2 sensor by first disconnecting the connector, then unscrewing from the exhaust. **See image 1**
4. Remove the stock system starting at the turbo going toward the muffler. Be sure to remove the triangular shaped rubber hanger. **See image 2**
5. Loosely pre-assemble the mufflers using the billet mounting bracket. Using the 60mm & 70mm allen bolts, nylock nuts, flat washers, billet spacers, square washers, and long billet bar with the trinity logo, bolt the mufflers to the frame of the vehicle. **See image 3a & 3b**
6. Attach the 4-bolt flange onto the mufflers with the spring tabs going on the top outside bolt hole locations. **See image 4**
7. Bolt on the trinity racing turbo flange. **See image 5**
8. Slip Y-Pipe and Head pipe together. Install on turbo flange first, then on to the 4 bolt flange of the muffler assembly. **See image 6**
10. Attach the springs to secure the Y-pipe and head pipe. Use the SHORT springs on the header and the LONG springs for the Y-pipe and muffler assembly. **See image 7**
11. Before starting vehicle, clean all exhaust components to remove any finger prints or oil residue.

WHAT'S IN THE BOX!



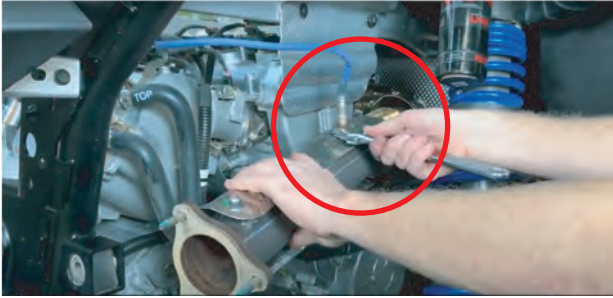


IMAGE #1



IMAGE #2



IMAGE #3A



IMAGE #3B

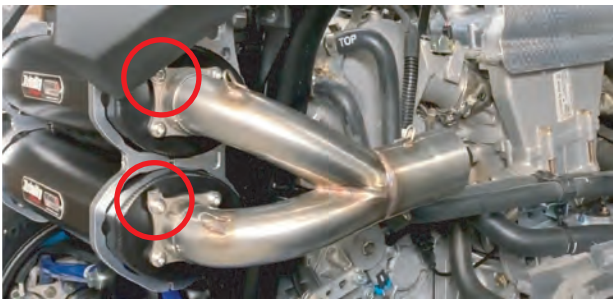


IMAGE #4

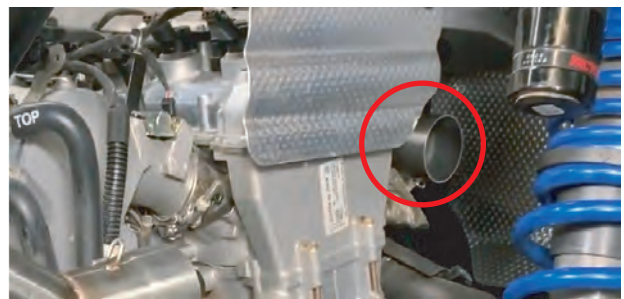


IMAGE #5



IMAGE #6

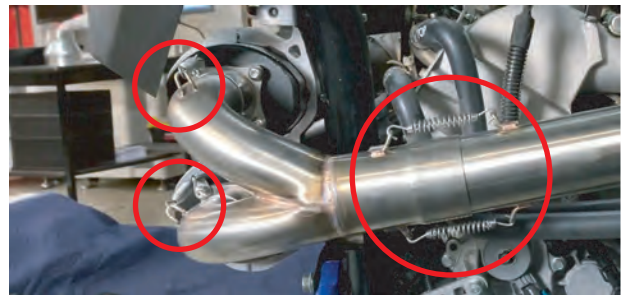


IMAGE #7

WARNING

* Trinity Racing exhaust systems will require adjustment to OEM fuel settings such as installation of an EFI programmer. Trinity Racing will not be held responsible for damages that occur during operation of your vehicle under improper fuel settings. Ultimately, it is the responsibility of the owner/rider to adjust fuel settings to specific riding conditions.

* Inspection of the muffler packing is recommended following every 30 hours of runtime. Failure to maintain muffler packing will result in power loss, increased sound output, and damage to the muffler body or muffler components.

* Trinity Racing exhausts systems are designed for high performance applications and are legal for closed course competition only. This product is not applicable nor intended for use on emissions controlled street, highway, or off-road vehicles.